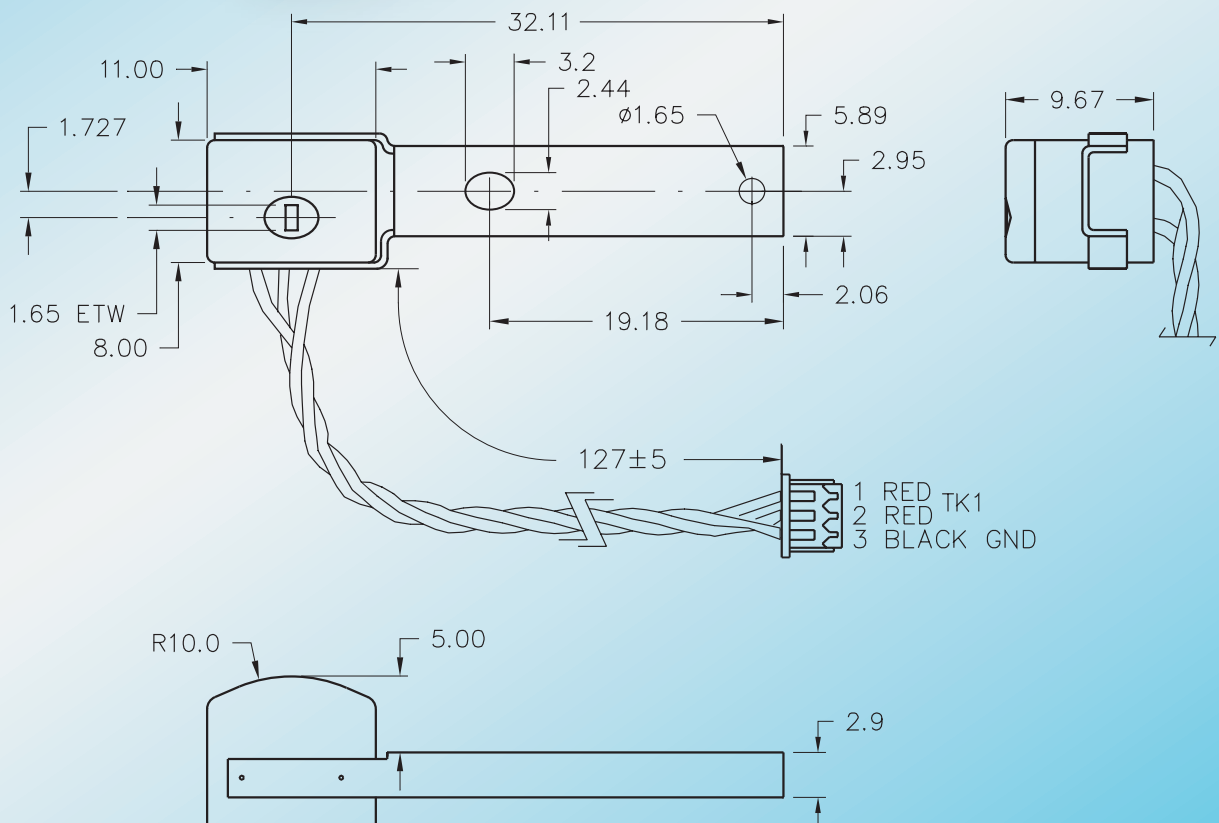
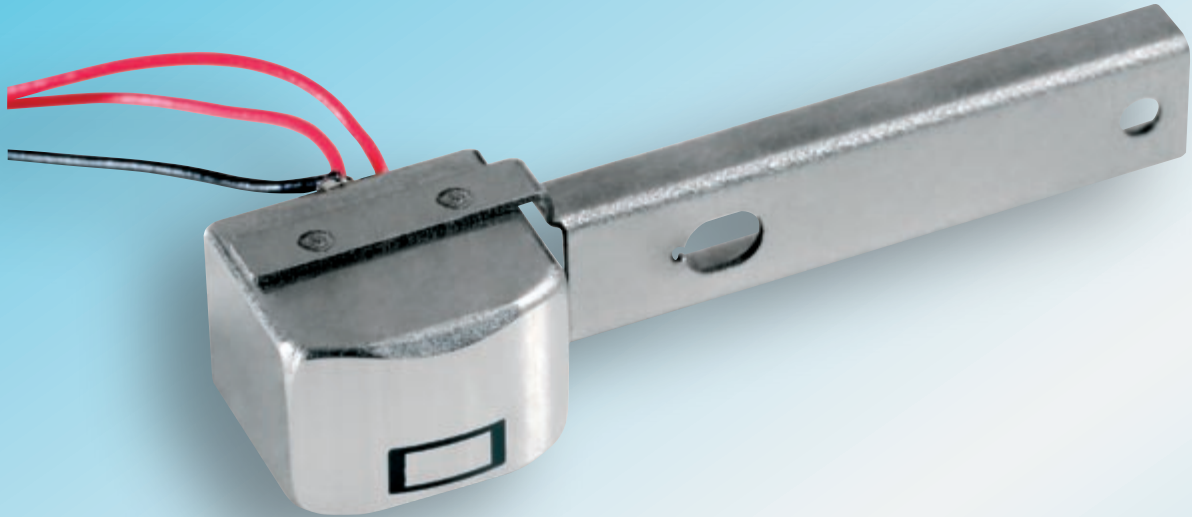


MAGNETIC HEAD TECHNOLOGIES – BULGARIA

1 CH. READ HEAD



Parameter	Units	Value
D. C. Resistance	Ohms	230
Inductance @ 1 kHz	mH	220
Read Output	mV	45
Part number: H816125		